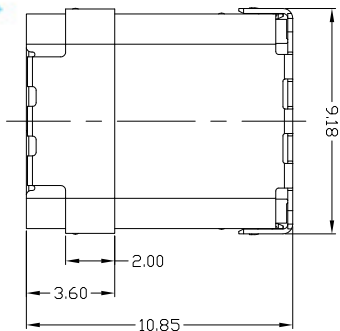
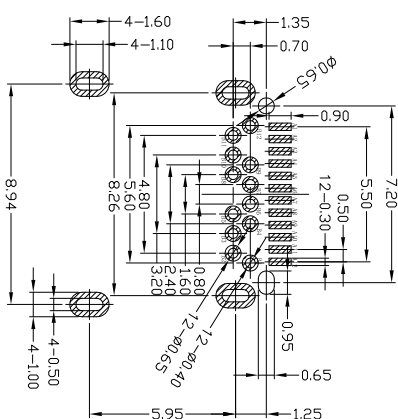
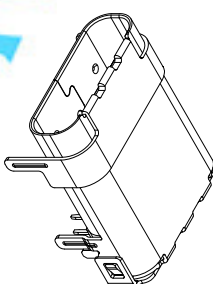
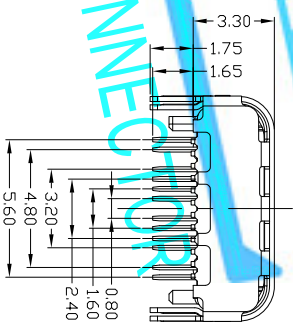
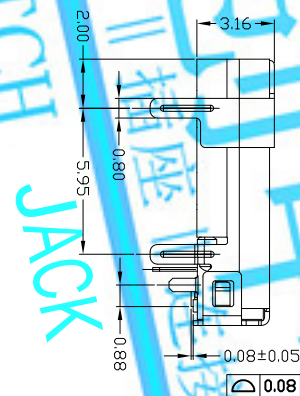
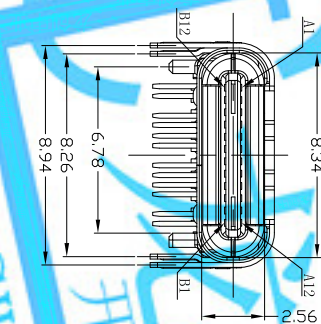




RoHS  
Compliant  
2002/95/EC



A	B
1 GND	12 GND
2 TX1+	11 RX1+
3 TX1-	10 RX1-
4 VBUS	9 VBUS
5 CCI	8 SBU2
6 D+	7 D-
7 D-	6 D+
8 SBU1	5 CC2
9 VBUS	4 VBUS
10 RX2-	3 TX2-
11 RX2+	2 TX2+
12 GND	1 GND



RECOMMENDED P.C.B LAYOUT  
PCB THICKNESS 1.0±0.05mm

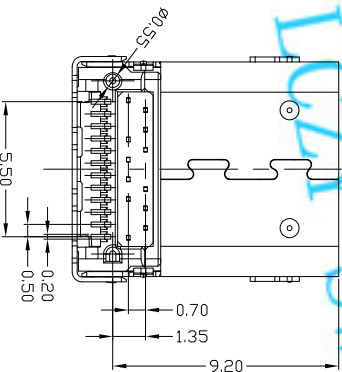
4. PART NO.

USCF-24\*1N-4BVV\*05

1Au 10 $\mu$   
2Au 30 $\mu$   
5Au 15 $\mu$   
6Au 30 $\mu$

v-WHITE  
BI-BLACK  
1PBT  
2PA6T  
3PA9T  
4LCP

- NOTES:
- ELECTRICAL:
    - CURRENT RATING: 5A FOR VBUS PIN, 1.25A FOR VCONN PIN.
    - INSULATION RESISTANCE: 100M $\Omega$  MIN;
    - CONTACT RESISTANCE: 40m $\Omega$  MAX FOR INITIAL, 10m $\Omega$  CHANGE AFTER TEST; MEASURE AT 20mV, 100mA.
    - WITHSTANDING VOLTAGE: 100V AC R.M.S.
    - OPERATING TEMPERATURE: -40°C TO +85°C.
  - Mechanical:
    - MATING FORCE: 5~20 N.
    - UNMATED FORCE: 8~20N AFTER TEST
    - DURABILITY: 10,000 CYCLES
  - DIMENSIONS MARKED "▲" TO BE CHECKED BY Q.C & IPQC.



Bill of materials:

NO	PARTS	MATERIAL	QTY	FINISHING	UNITS	mm	TITLE:	PART NO.:	SCALE	SHEET	REV.	CUSTOMER
5	SHRAPNEL	STAINLESS STEEL	1	PLATED NICKEL	X: $\pm 0.35$	X: $\pm 2'$	LONGCHUANG ZHONGYE (HK)CO.,LIMITED	USCF-241N-4BVV*05	1:1	1/1	B	DRAWING
4	HODK	STAINLESS STEEL	2	PLATED NICKEL	X: $\pm 0.3$	X: $\pm 1'$						
3	SHELL	STAINLESS STEEL	1	PLATED NICKEL/TIN	.XX $\pm 0.25$	.XX'						
2	TERMINAL	COPPER ALLOY	24	PLATED GOLD/TIN	.XXX $\pm 0.15$	.XXX'						
1	HOUSING	LCP+30%GF	1	UL94V-0								
E							DR: gsm 2017/7/30					
							CHKD: gsm 2017/7/30					
							APPD:					

LONGCHUANG ZHONGYE (HK)CO.,LIMITED

USCF-241N-4BVV\*05

SCALE SHEET REV. B

CUSTOMER DRAWING

DR: gsm 2017/7/30

CHKD: gsm 2017/7/30

APPD: