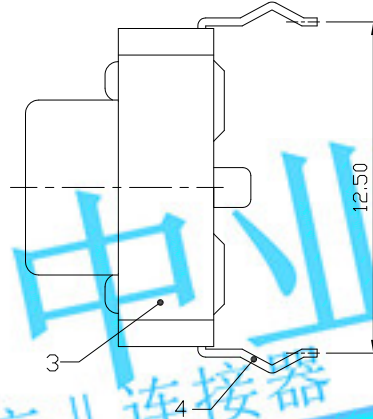
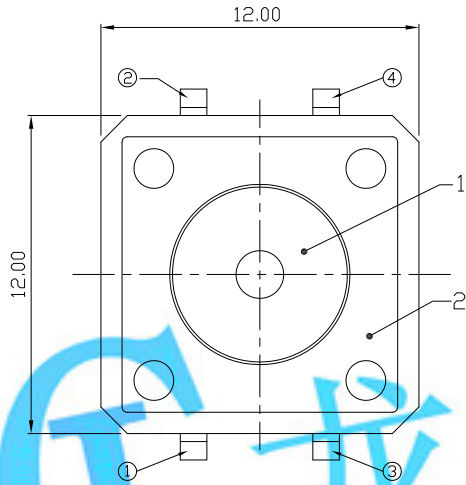




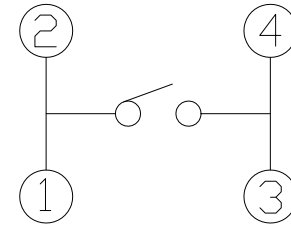
RoHS
Compliant
2002/95/EC

REV.	ECN.	NO.	APPD.

DIMENSIONS

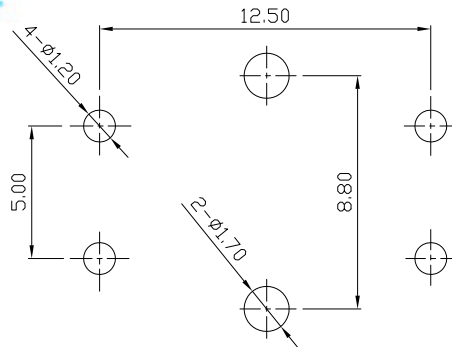
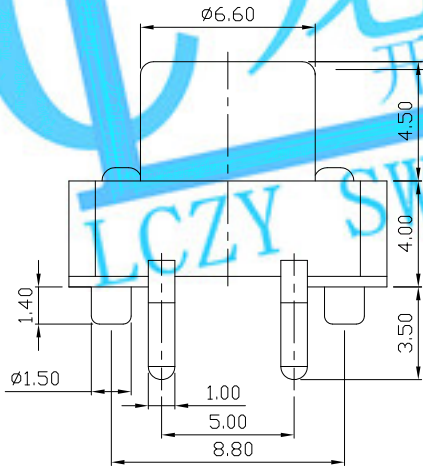


CIRCUIT DIAGRAM



0.30±0.15 travel

P.C.B MOUNTING PATTERN DIMENSION



ELECTRO-MECHANICAL CHARACTERISTICS

Refer to additional specifications

Rating	DC 12V 50mA	
Contact Resistance	100mΩ Max.	
Travel	0.30±0.15mm	
Operating Force	160±50gf	250±100gf
Operating Life(cycles)	100,000	

5	SPRING PLATE	PBS	1	Ag CALD	WITHIN 1.5mm:±0.1mm
4	TERMINAL	BRASS STRIP	4	Ag COATING	OVER 1.5mm:±0.2mm
3	CASE	NYLON+F.G	1	BLACK	
2	COVER	MILD STEEL	1	NI COATING	
1	KNOB	NYLON+F.G	1	BLACK	
NO.	PARTS	MATERIAL	Q'TY	FINISHING	

THESE DRAWINGS AND SPECIFICATIONS ARE THE PROPERTY OF ACCURATE INNO TECH INC AND SHALL NOT BE REPRODUCED, COPIED OR USED IN ANY MANNER WITHOUT THE PRIOR WRITTEN CONSENT OF ACCURATE INNO TECH INC.

UNITS	mm			
MAT'L	SEE NOTE			
FINISH	SEE NOTE			
Q'TY	SEE NOTE			
LONGCHUANG ZHONGYE (HK)CO.,LIMITED				
TITLE:		PART NO.:		
TACT SWITCH		AT-1103E-8.5 SERIES		
DR: Ricky 2017/08/02		DWG NO.:		
CHKD: Ricky 2017/08/02		AZJ-1103E-8.5		
APPD:	SCALE	SHEET	REV.	CUSTOMER DRAWING
	4:1	1/1	A	